

GLASS TUBE FLOW METER

MICRO PURGE FLOW METER

METAL TUBE FLOW METER 1

METAL TUBE FLOW METER 2

ORIFICE FLOW METER

FLOW SWITCH & SIGHT FLOW METER

TURBINE FLOW METER

MICRO PURGE FLOW METER

FLOW SWITCH & SIGHT FLOW METER

유량감시계

MODEL : CKBP Series

OUT LINE

CKB유량계는 CKA형과 같은 구조와 기능을 갖고 있는 동일한 형식으로 접점기능을 부가한 유량계이다. 접점 신호는 1Point와 2Point로 구분한다.

SPECIFICATION

Sensor	Reed Switch
Contact Output	High or Low Set Point
Contact Type	Sensor Self Holding Form
Contact Rate	SPDT Relay Output
Capacity	AC 220V 0.5A
Cable Entry	PT 1/2" Female
Ambient Temp	-10 ~ 80°C



FLOW CHART

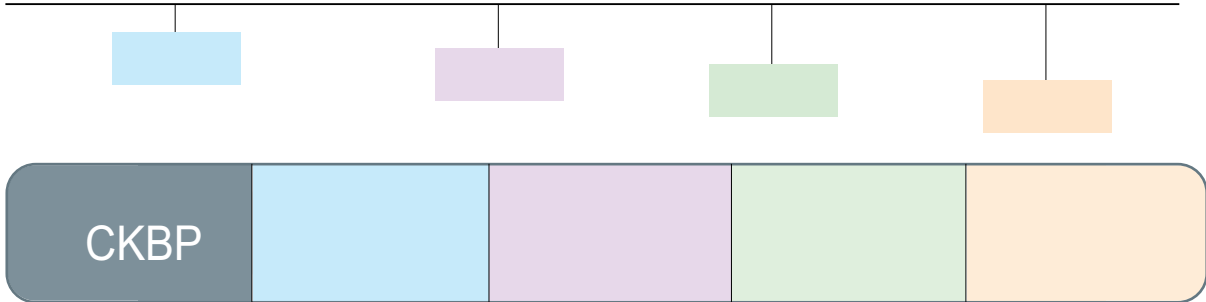
구 분 SIZE		제작가능 유량범위			면간거리 (mm)			
		H2O(m ³ /h)	AIR (Nm ³ /h)	STEAM(kg/h)	M	N	L(Flange)	L(Scre w)
15A	1/2B	0.1-0.5	6-30	10-50	85	55	220	150
		0.4-2	12-60	20-100				
20A	3/4B	0.1-0.5	6-30	10-50	85	55	220	160
		0.4-2	12-60	20-100				
25A	1B	0.2-1	12-60	10-50	90	60	220	180
		1-5	30-150	40-200				
32A	1 1/4B	0.2-1	12-60	10-50	90	60	220	200
		1-5	30-150	40-200				
40A	1 1/2B	0.4-2	16-80	20-100	95	65	220	200
		2-10	60-300	80-400				
50A	2B	0.6-3	20-100	20-100	100	70	220	220
		3-15	90-450	120-600				
65A	2 1/2B	1.2-6	60-300	80-400	110	80	260	220
		6-30	180-900	240-1200				
80A	3B	1.6-8	120-600	100-500	110	80	300	
		8-40	240-1200	400-2000				
100A	4B	3-15	180-900	200-1000	130	100	330	
		16-80	400-2000	700-3500				
125A	5B	4-20	200-1000	200-1000	140	110	380	
		20-100	600-3000	900-4500				
150A	6B	6-30	240-1200		200	150	480	
		30-150	900-4500					
200A	8B	12-60	300-1500		210	180	650	
		60-300	1800-9000					
250A	10B	16-80	600-3000		230	200	680	
		80-400	2400-12000					
300A	12B	20-100	900-4500		280	250	720	
		100-500	3000-15000					

* 동일규격의 상단은 최소유량, 하단은 최대유량 제작가능 범위입니다.

ORDERING CODE

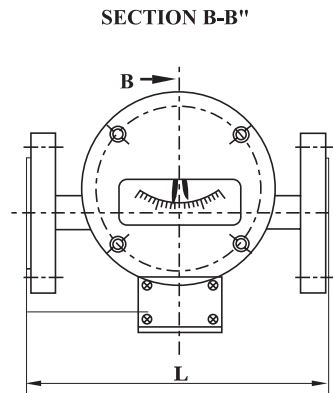
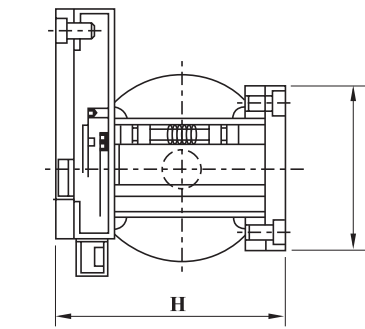
CKBP Series

FLOW DIRECTION	CONTACT	MATERIAL	CONNECTION
<ul style="list-style-type: none"> 1: BOTTOM - TOP 5: SIDE - SIDE 6: TOP - BOTTOM 	<ul style="list-style-type: none"> 1: One Point Alarm 2: Two Point Alarm 	<ul style="list-style-type: none"> 1: STEEL 2: SUS 304 3: SUS 316 0: OTHER 	<ul style="list-style-type: none"> F: JIS 10K RF ANSI 150# RF, DIN, ETC S: PT, NPT <Female male> 0: OTHER



MATERIAL

PART LIST	MATERIAL		
	NO.1	NO.2	NO.3
Flange	SS41	SUS304	SUS316
Packing	NBR, EPDM, VITON,TEFLON		
Body	SUS304	SUS304	SUS316
Shaft	SUS304	SUS304	SUS316
Spring	SUS304	SUS304	SUS316
Flapper	SUS304	SUS304	SUS316
Magnet Room	SUS304	SUS304	SUS316
Bolt Nut	STEEL	SUS304	SUS316
단자대	AL		
Cover	AL		
Sensor	Reed S/W (Package)		
Terminal Box	AL		



DIMENSION